

Sensor and Motor Attachments for the RileyRover Base design



Ultrasonic Sensor



Colour Sensor



Gyro Sensor



Gripper

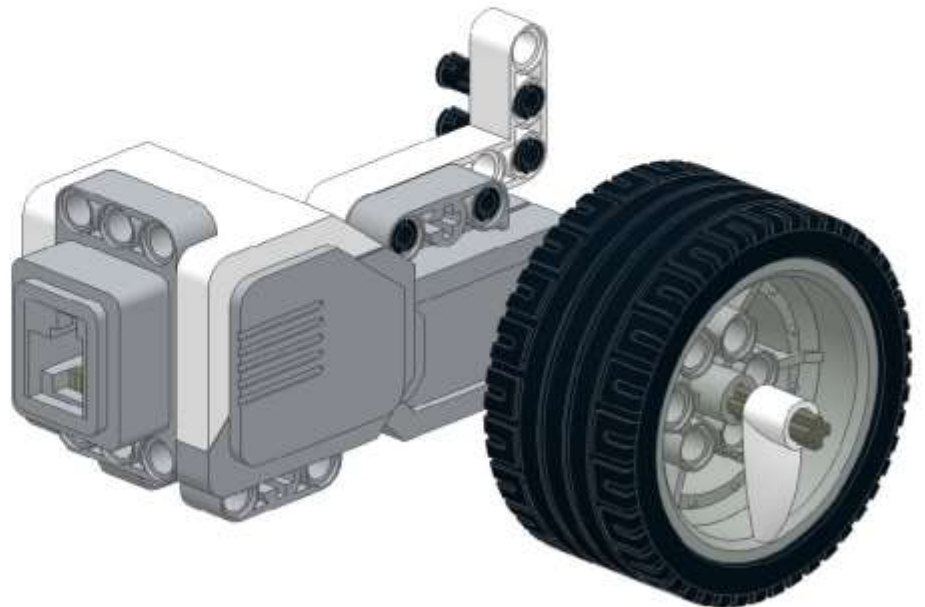
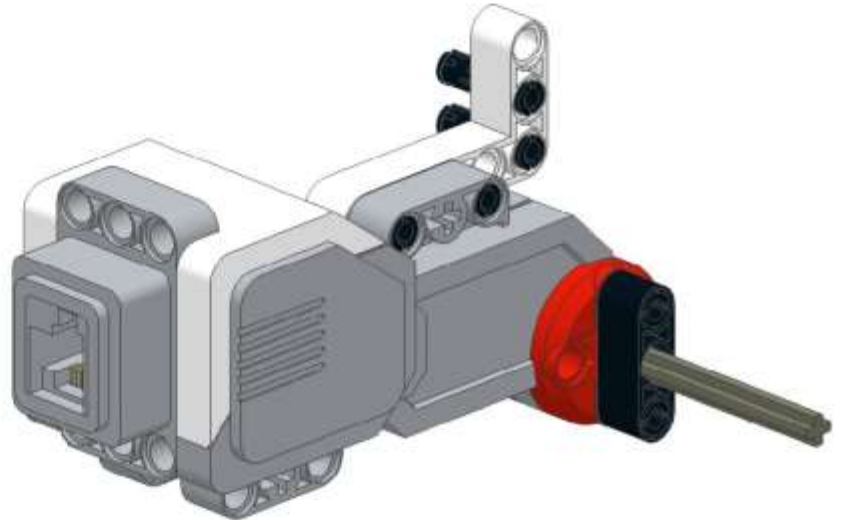
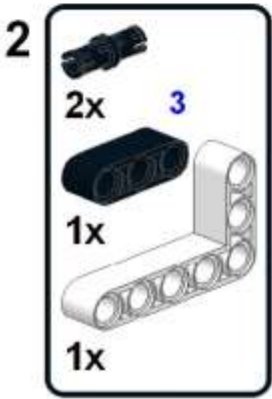
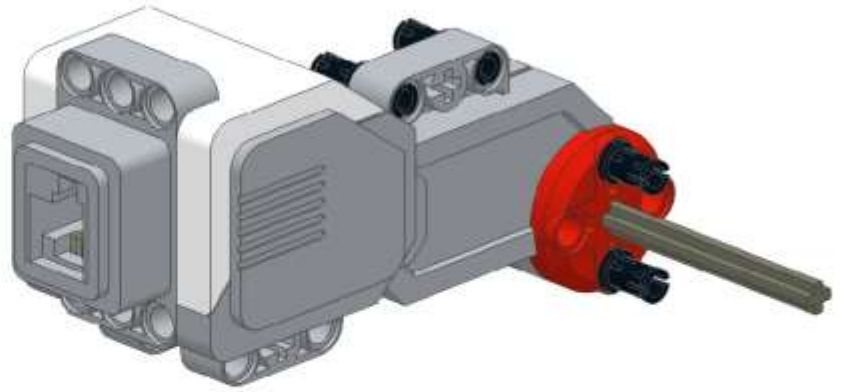
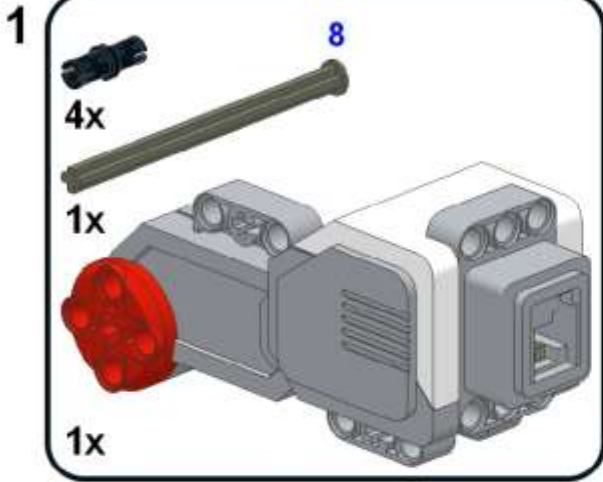


**Colour / Ultrasonic
combination**



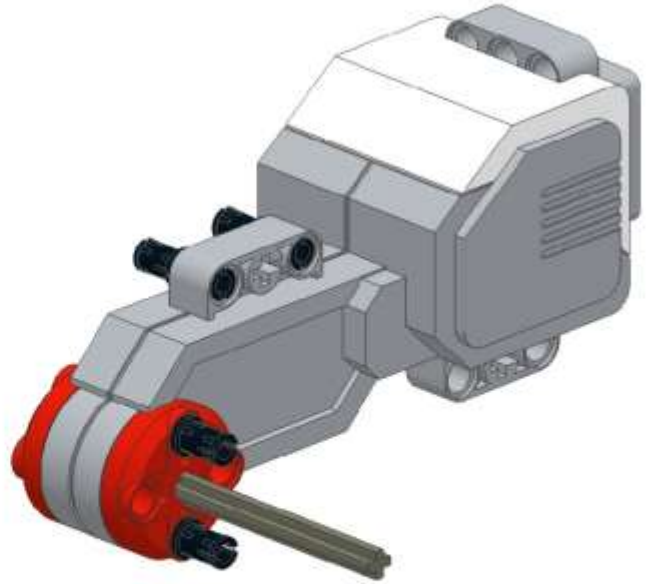
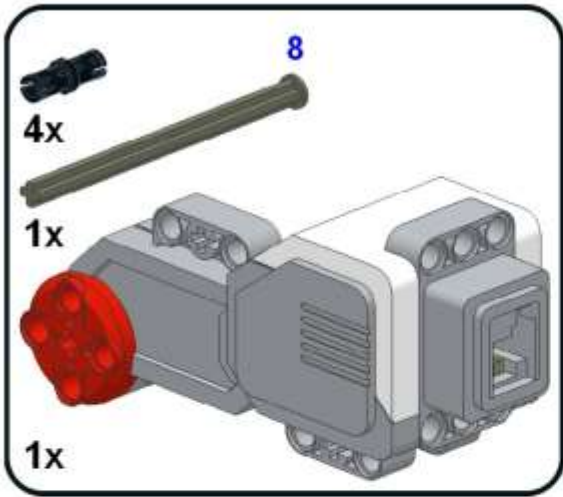
Cargo Delivery

Right Motor Assembly

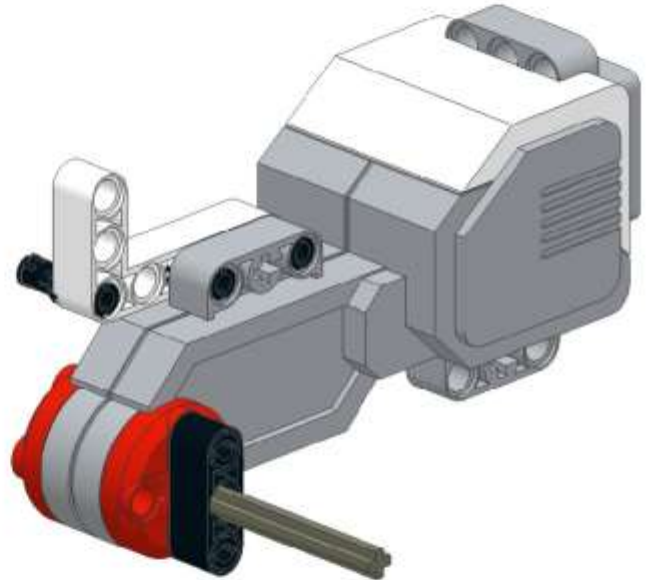
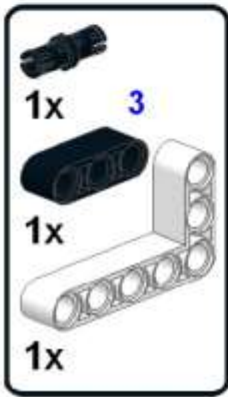


Left Motor Assembly

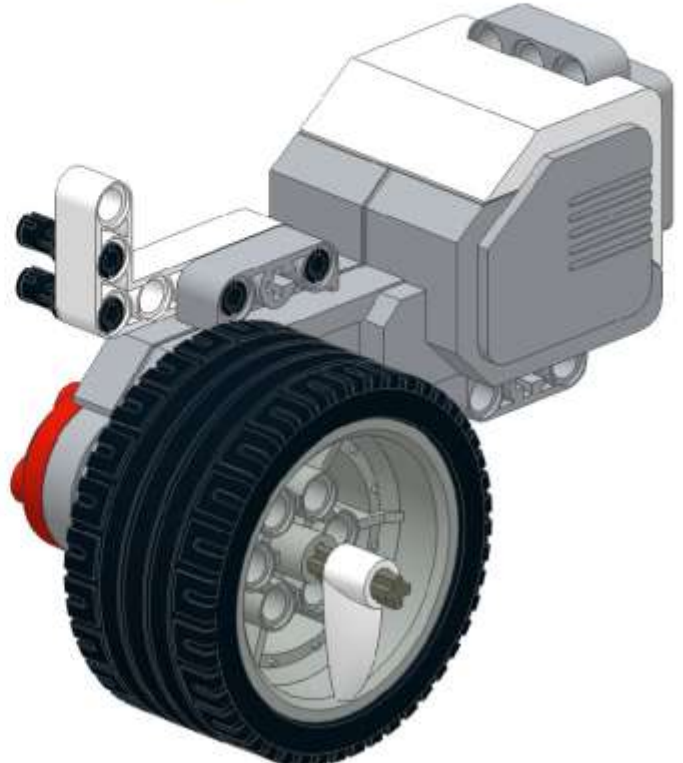
1



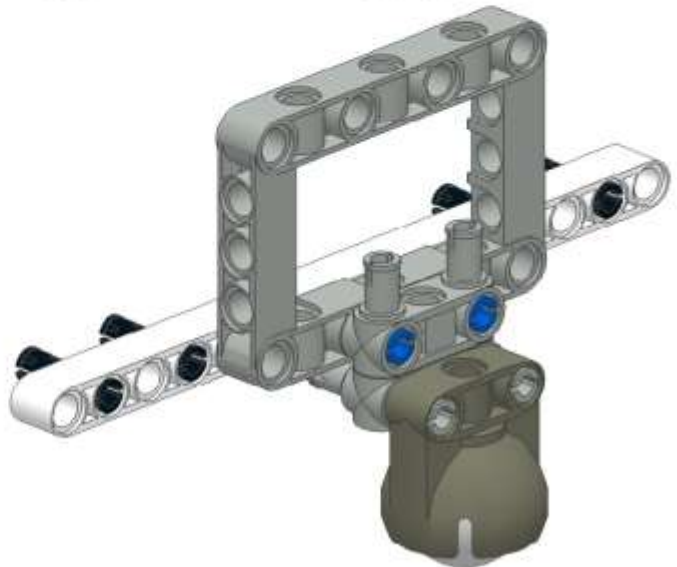
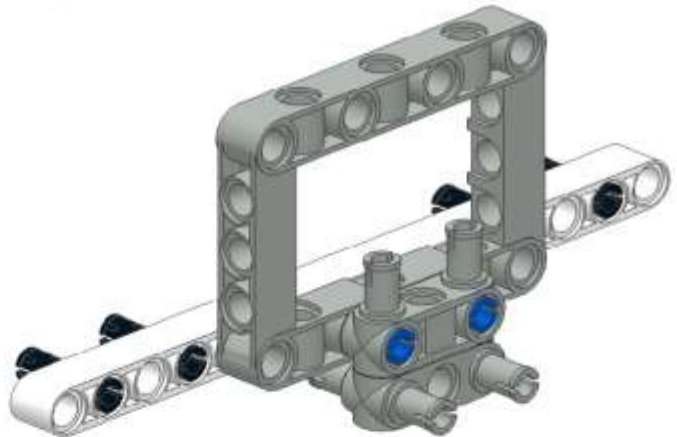
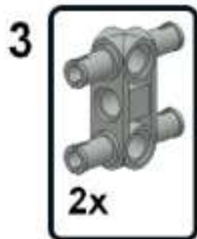
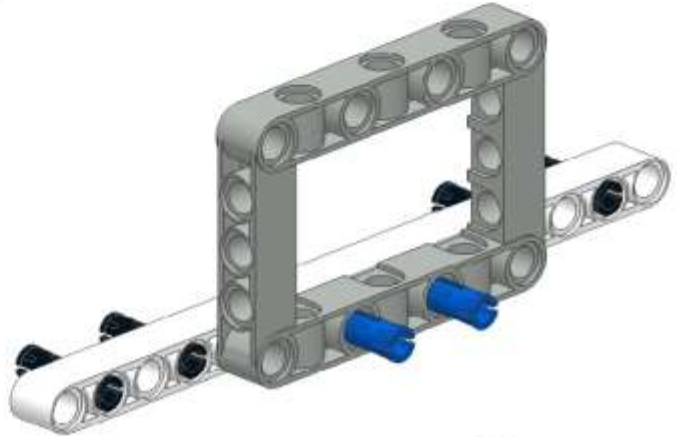
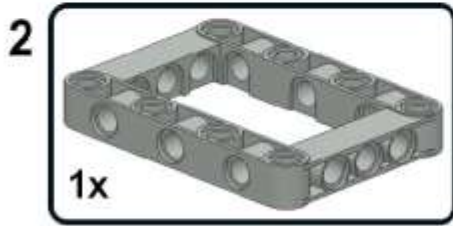
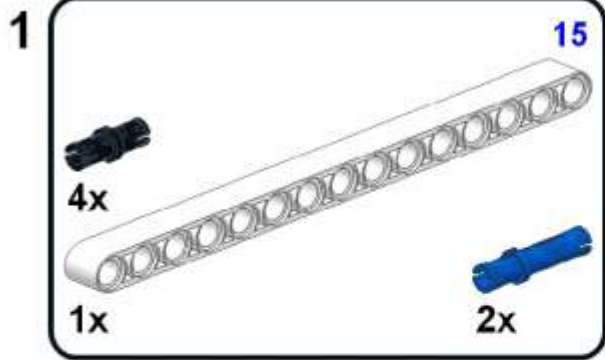
2



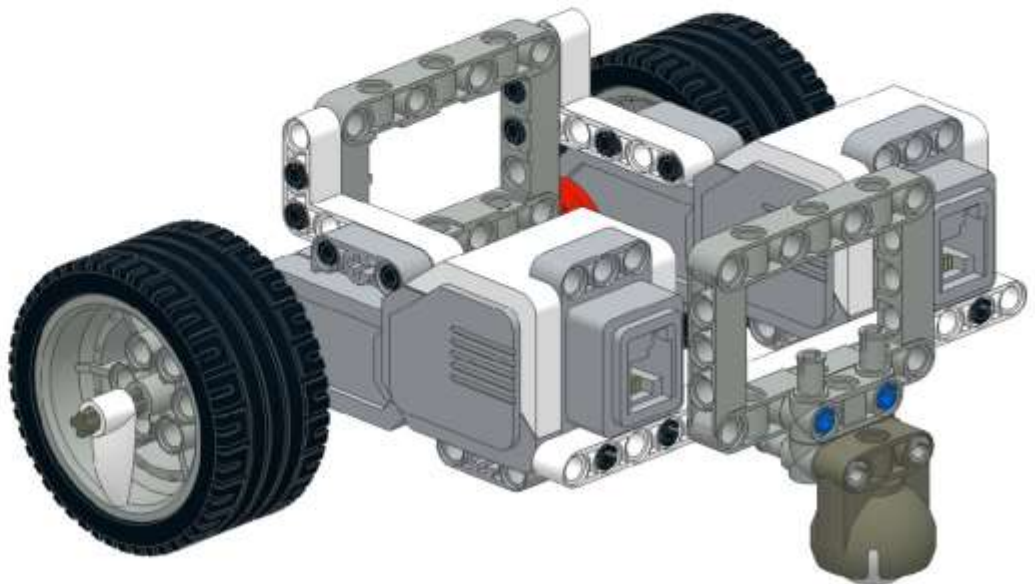
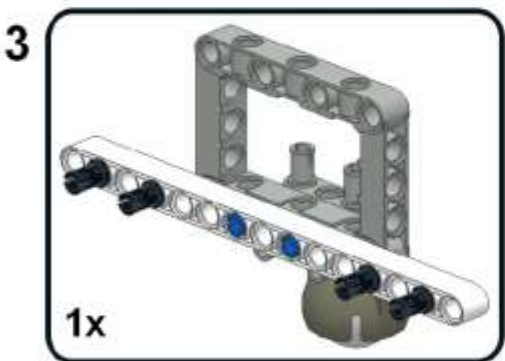
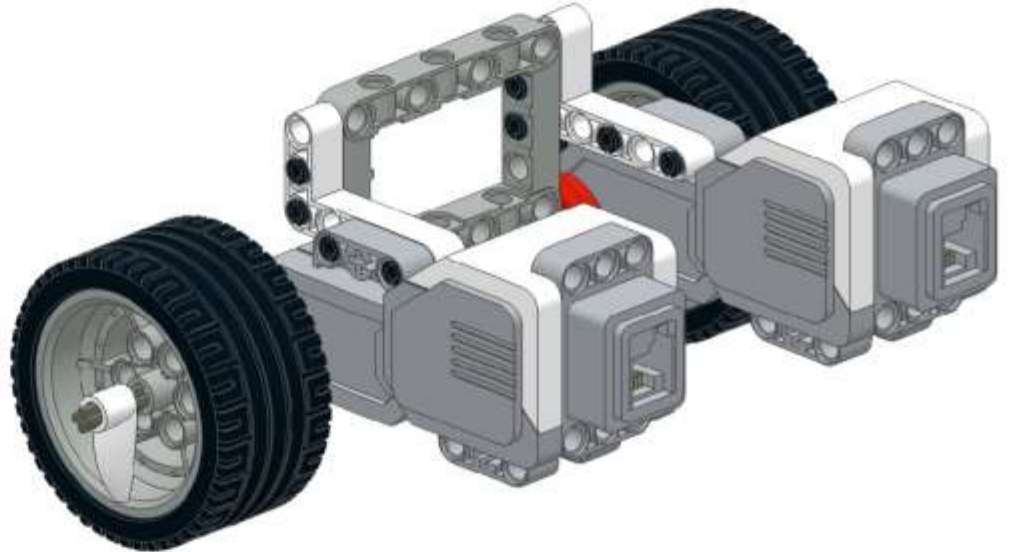
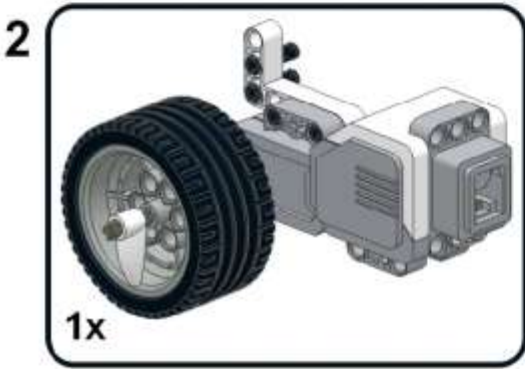
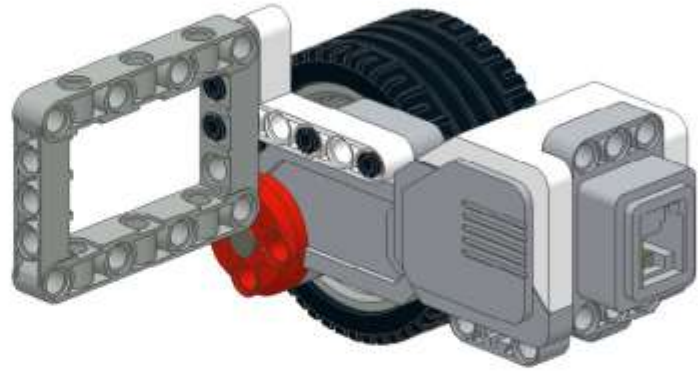
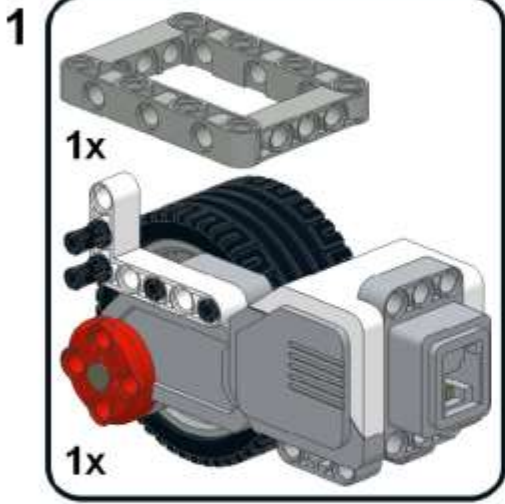
3



Back Castor Assembly

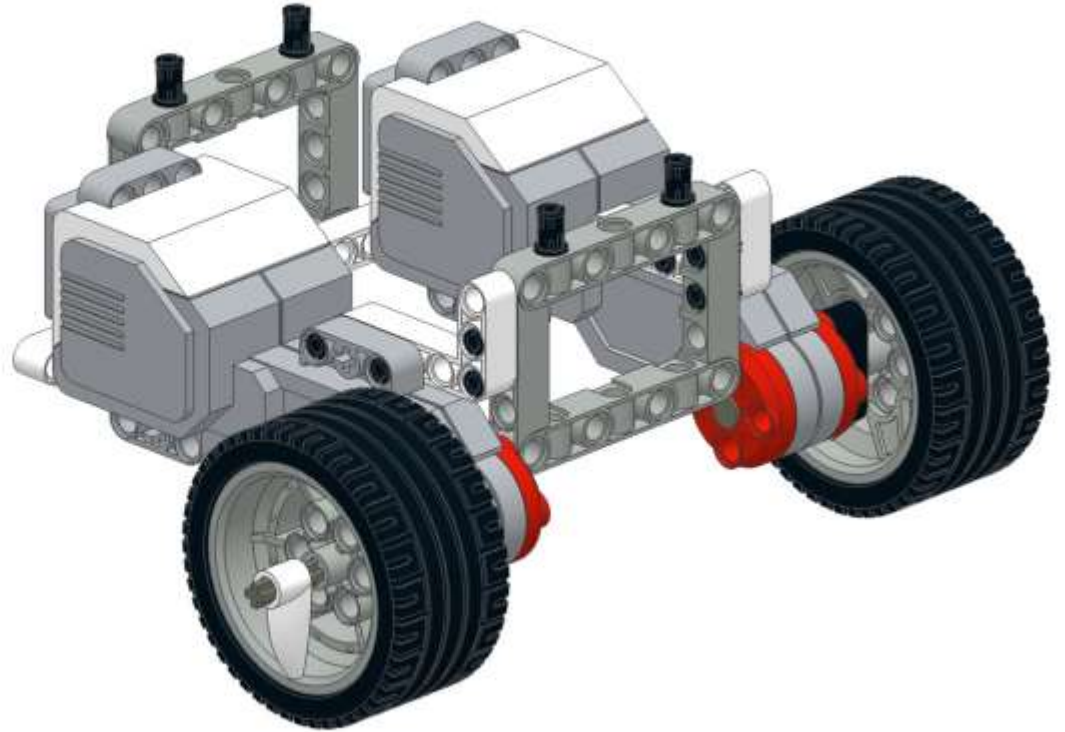


Assemble Right Motor, Left Motor and Back Castor

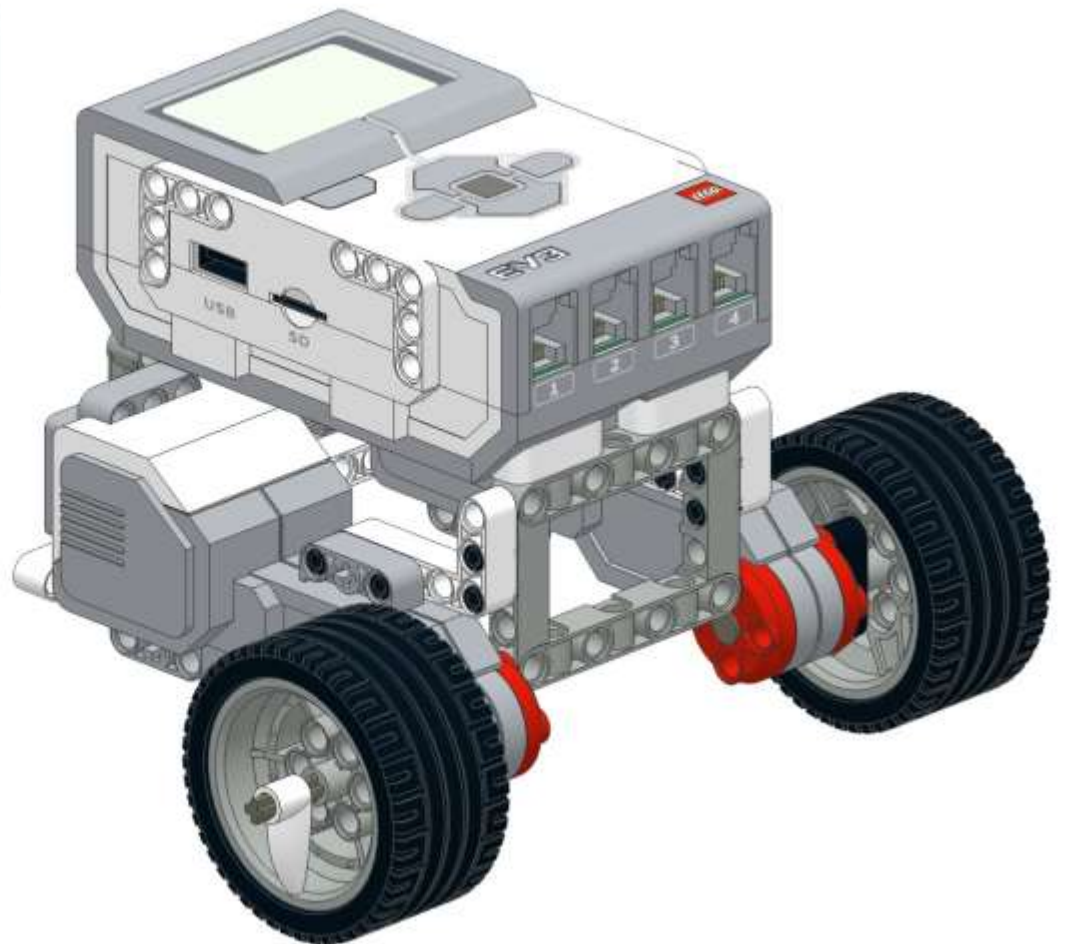
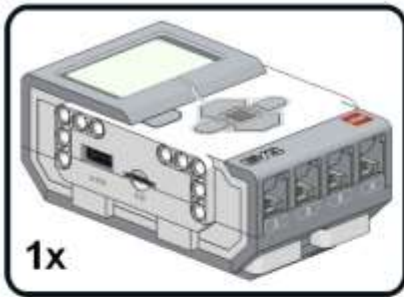


Turn Base around

4

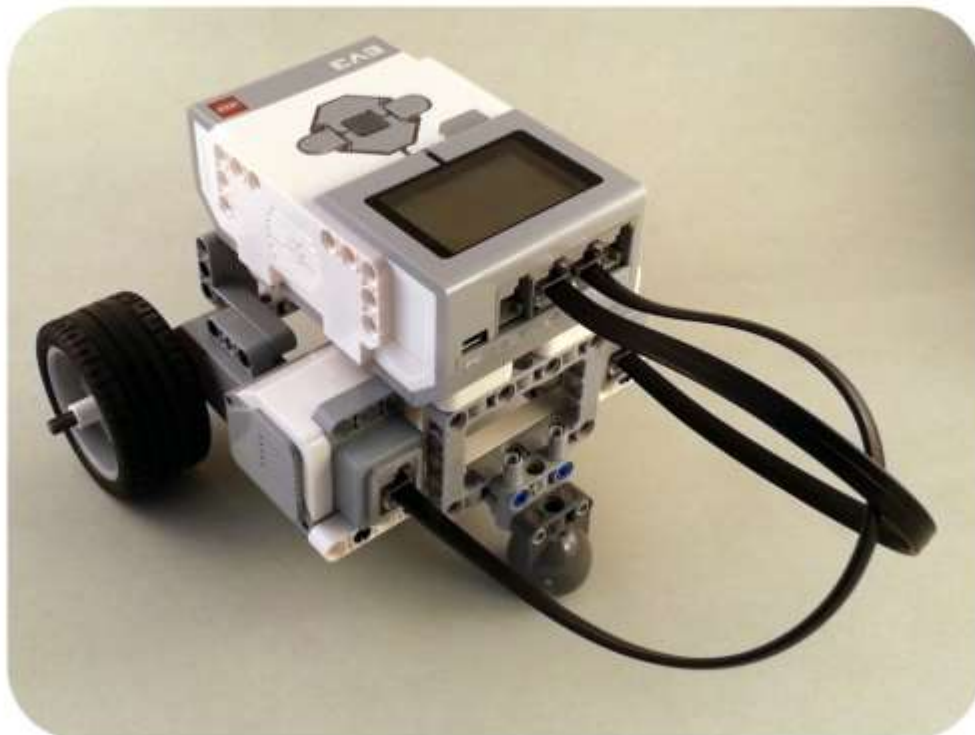


5

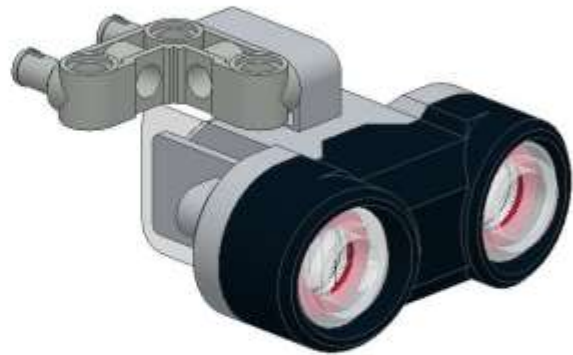
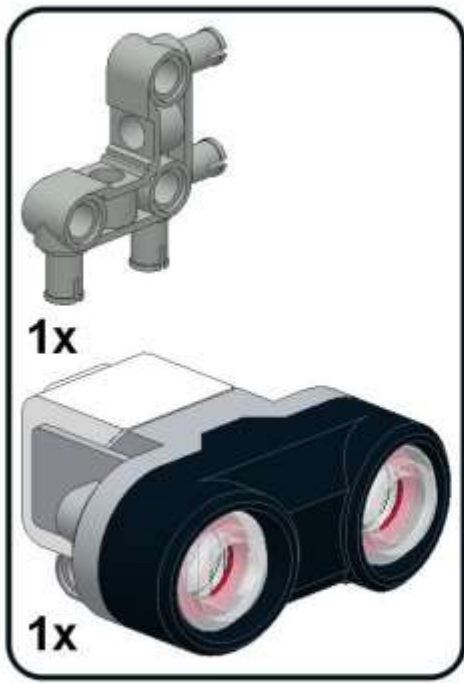


Connect the Cables

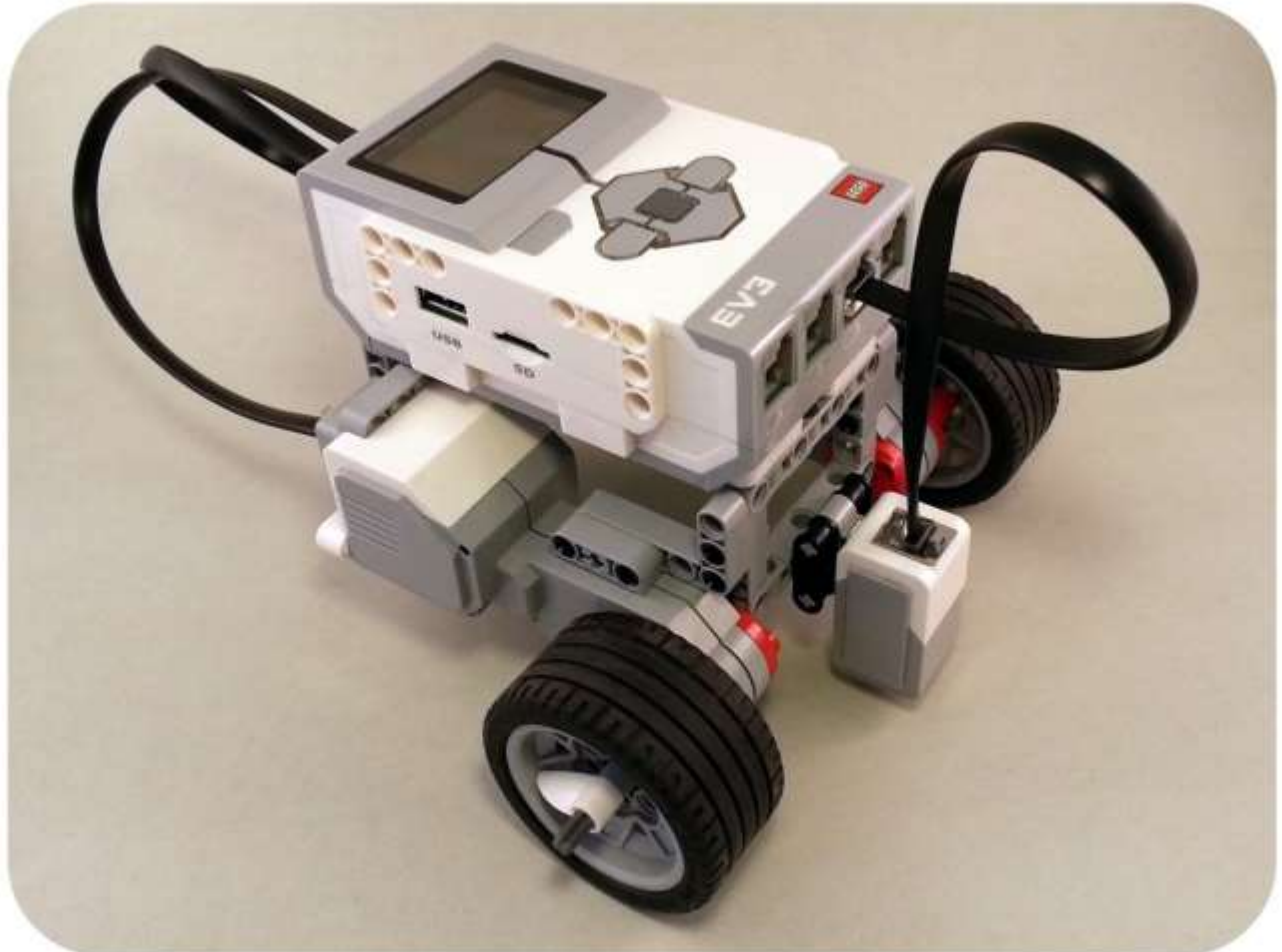
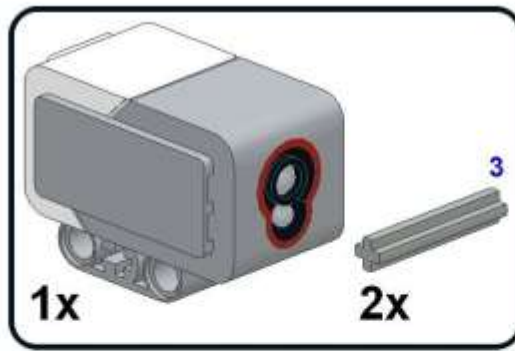
Left Motor : B - Right Motor : C
(for this design, the cables will cross over)



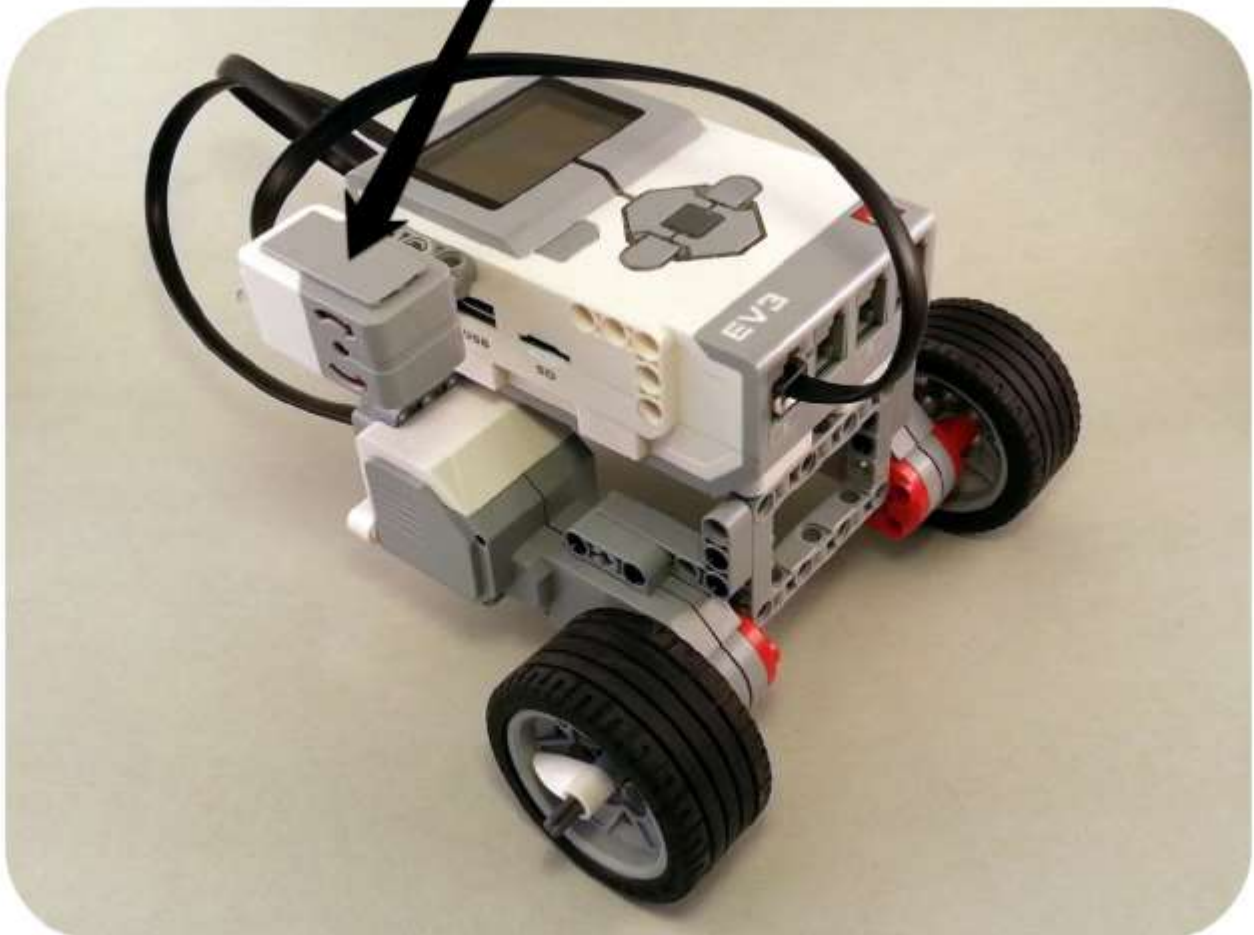
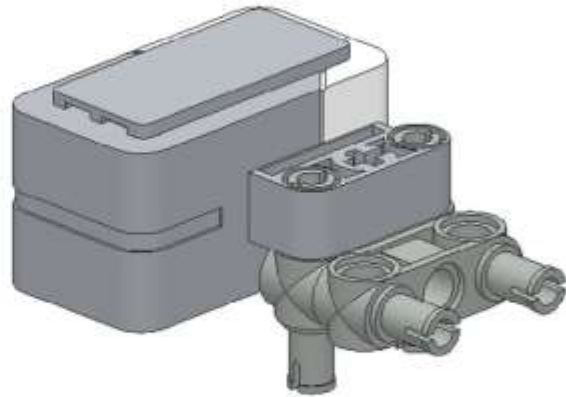
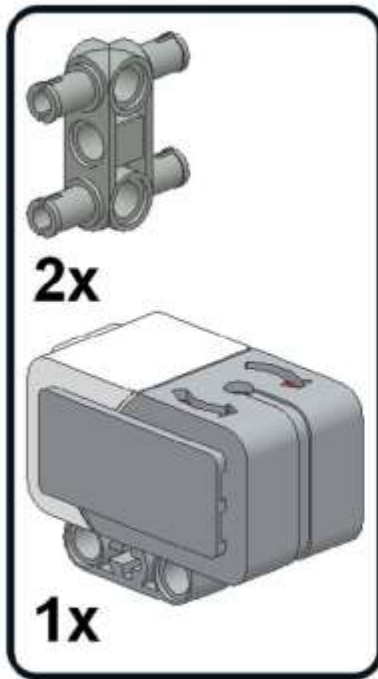
Ultrasonic Sensor Attachment



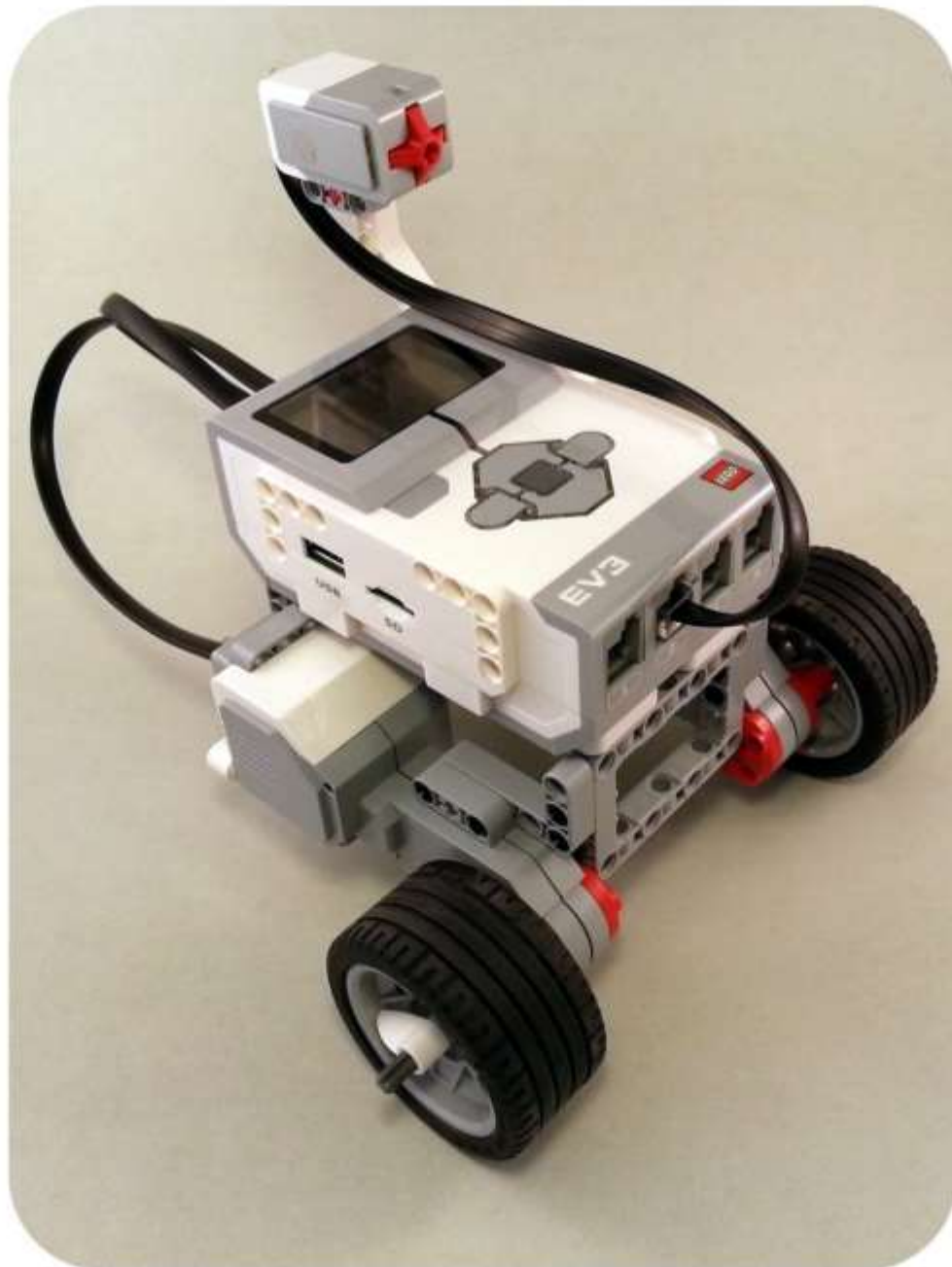
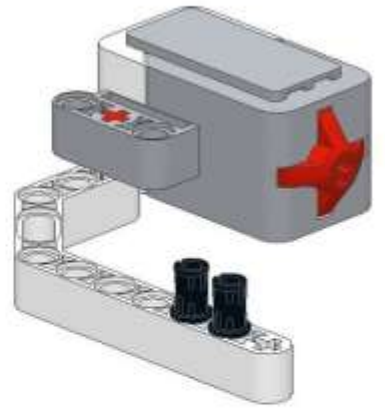
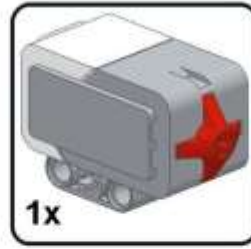
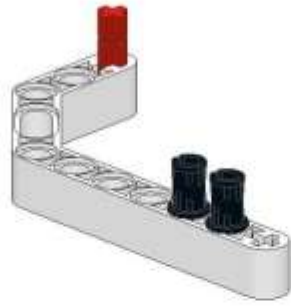
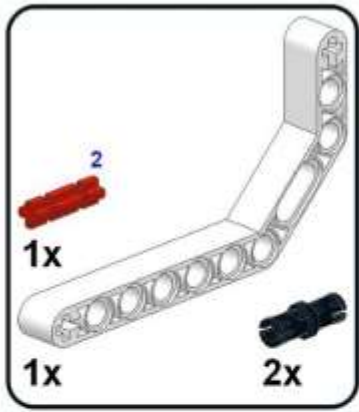
Colour Sensor Attachment



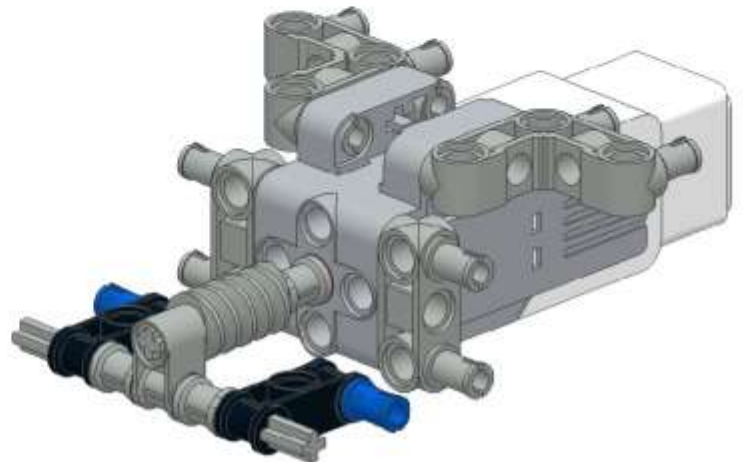
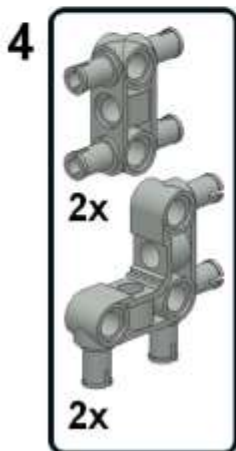
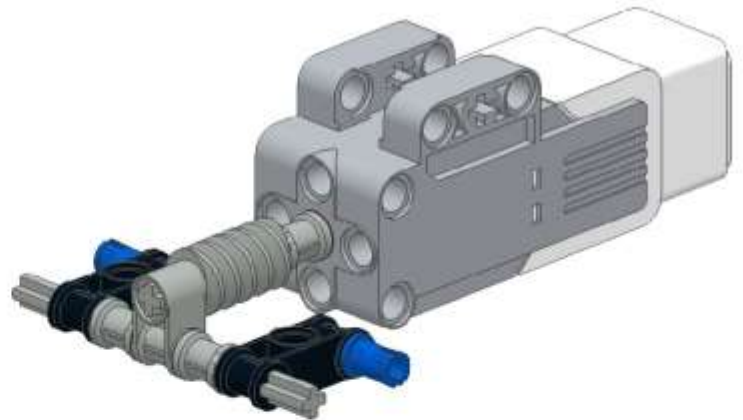
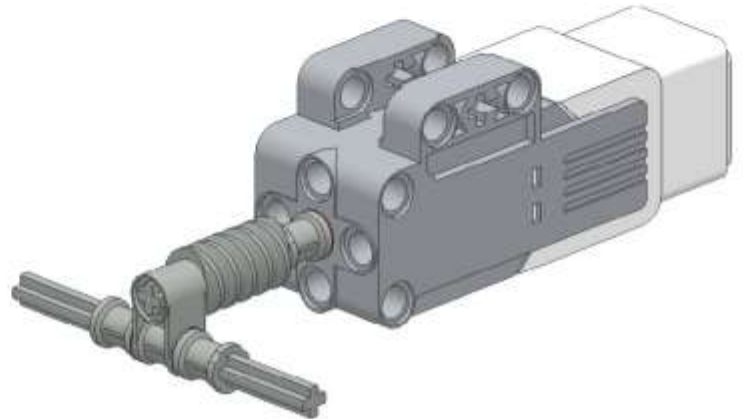
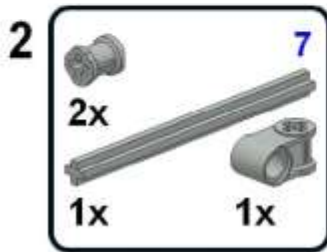
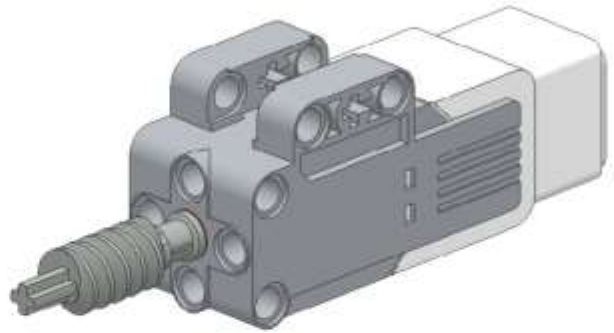
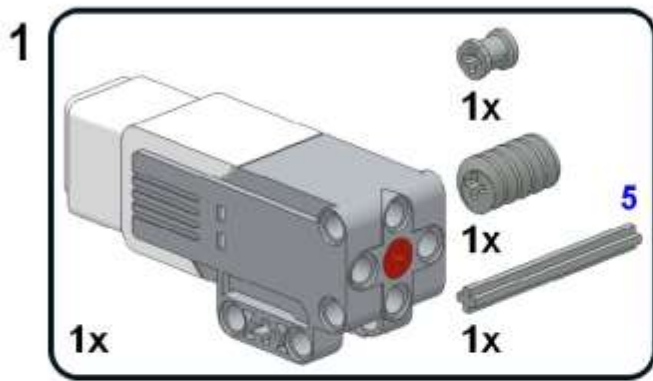
Gyro Sensor Attachment



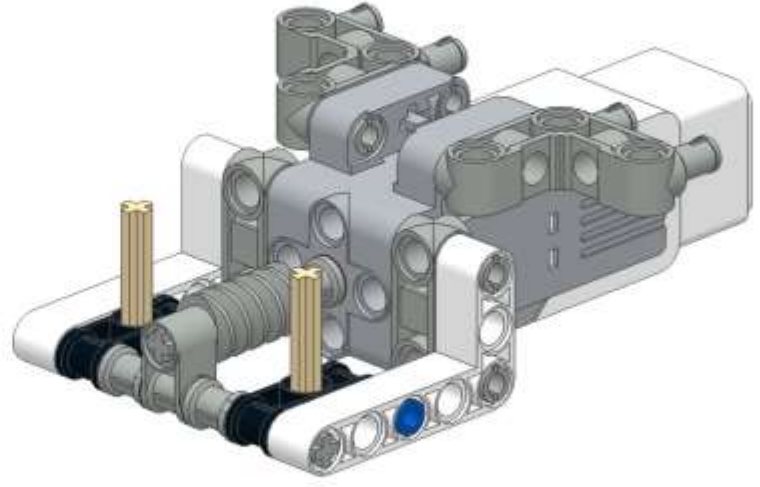
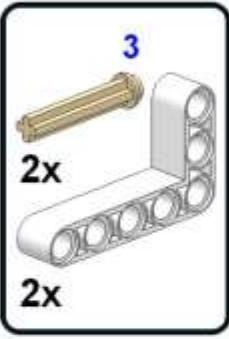
Touch Sensor Attachment



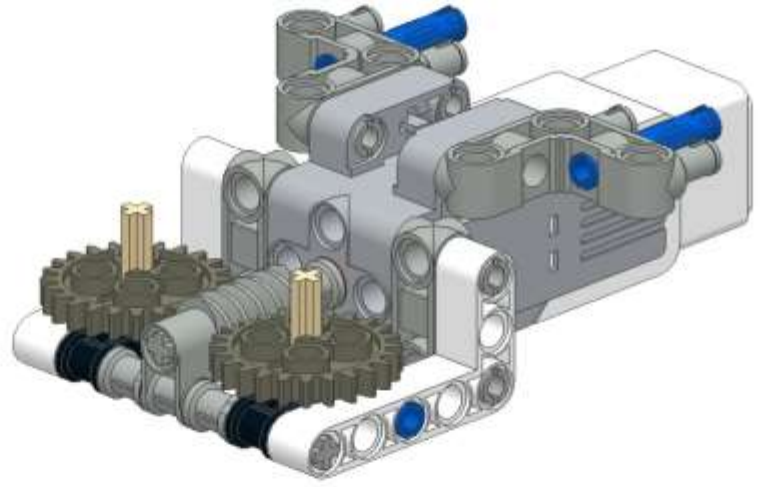
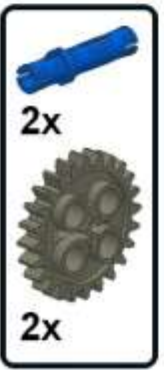
Gripper Attachment



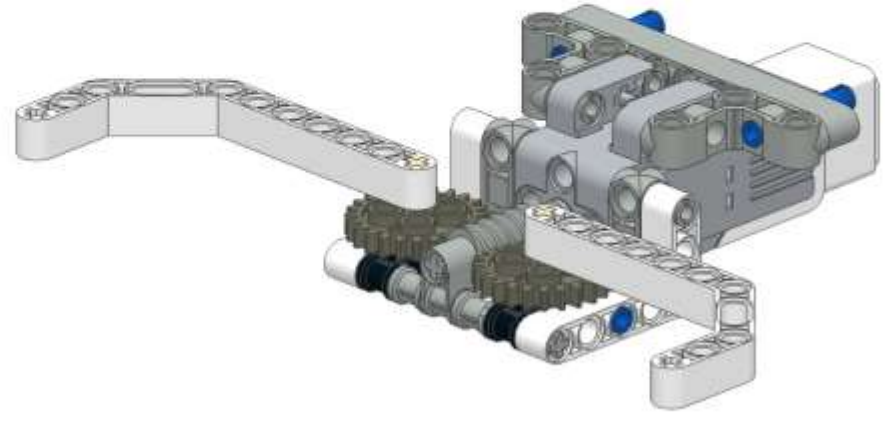
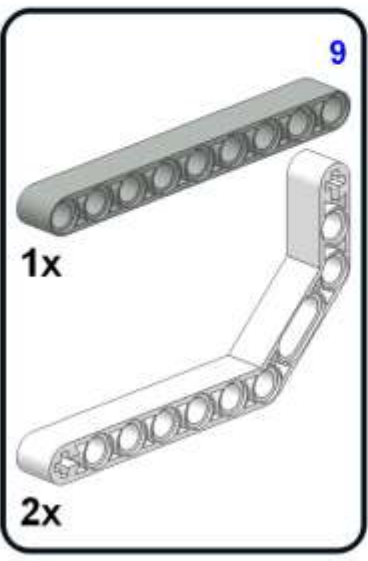
5



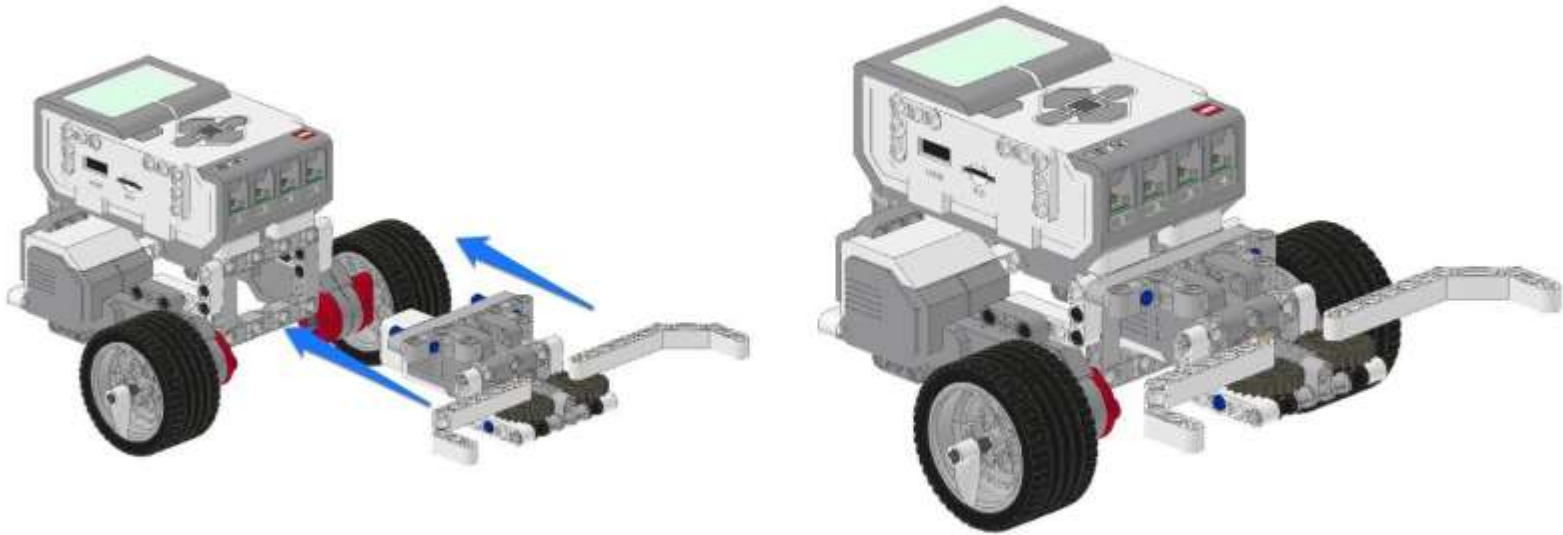
6



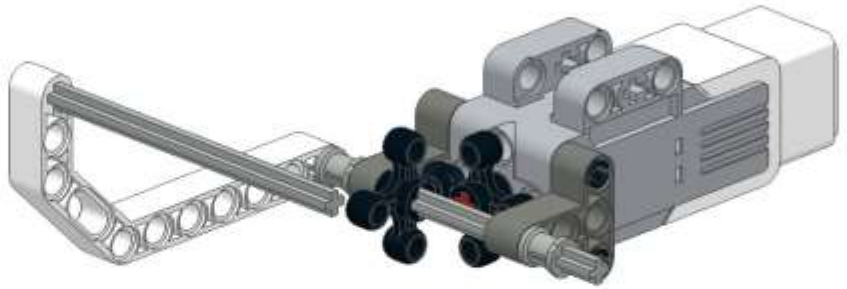
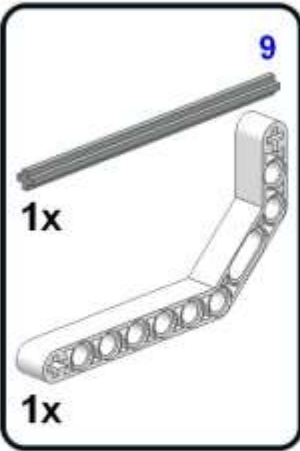
7



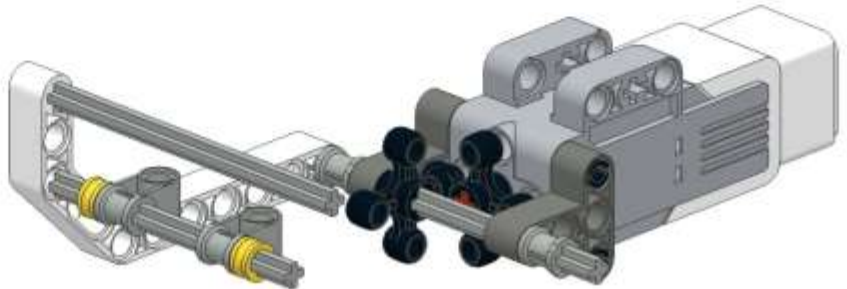
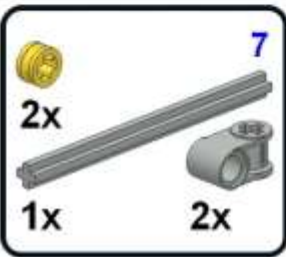
Attach the Gripper to the front of the Robot



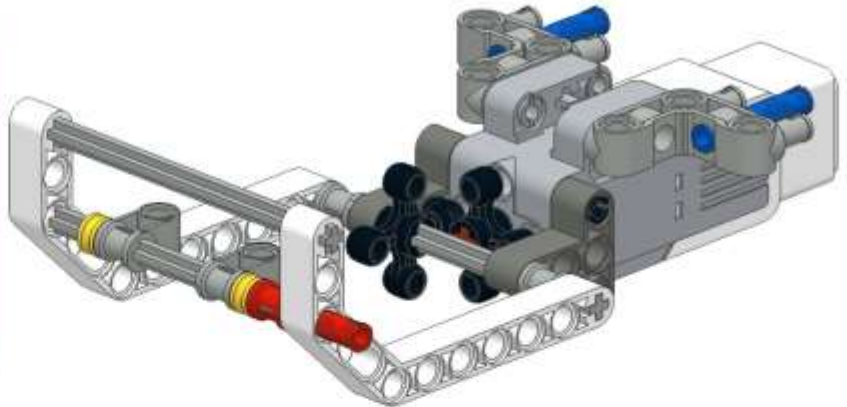
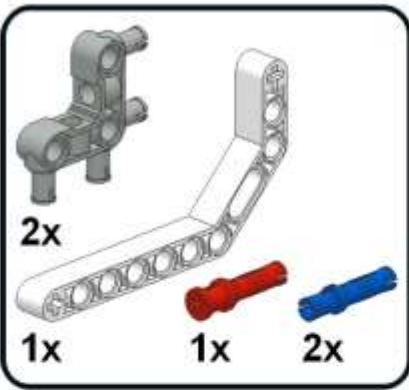
4



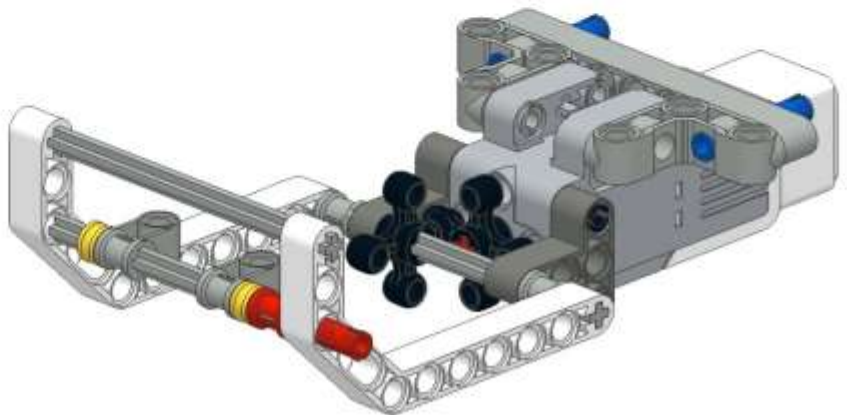
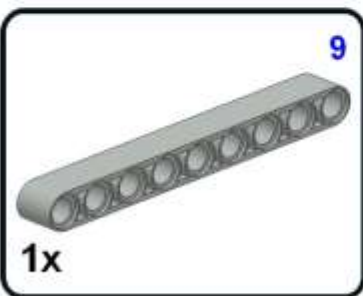
5



6

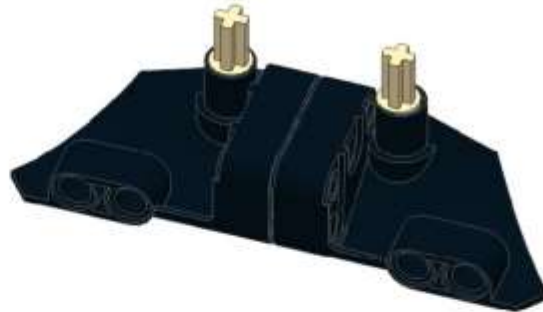
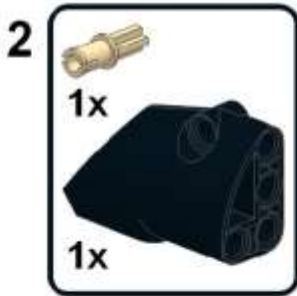
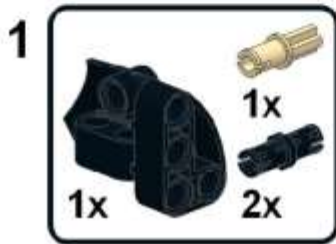


7

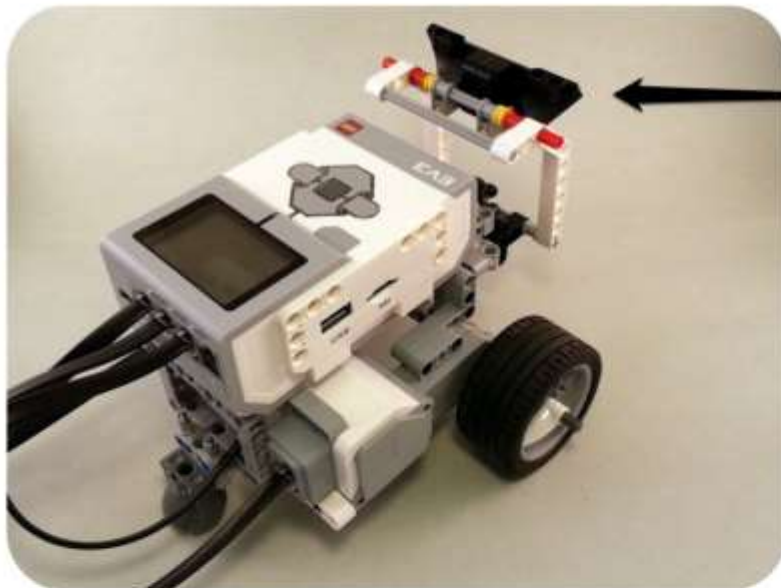


Signal Repeater

To be used with the Cargo Delivery Attachment



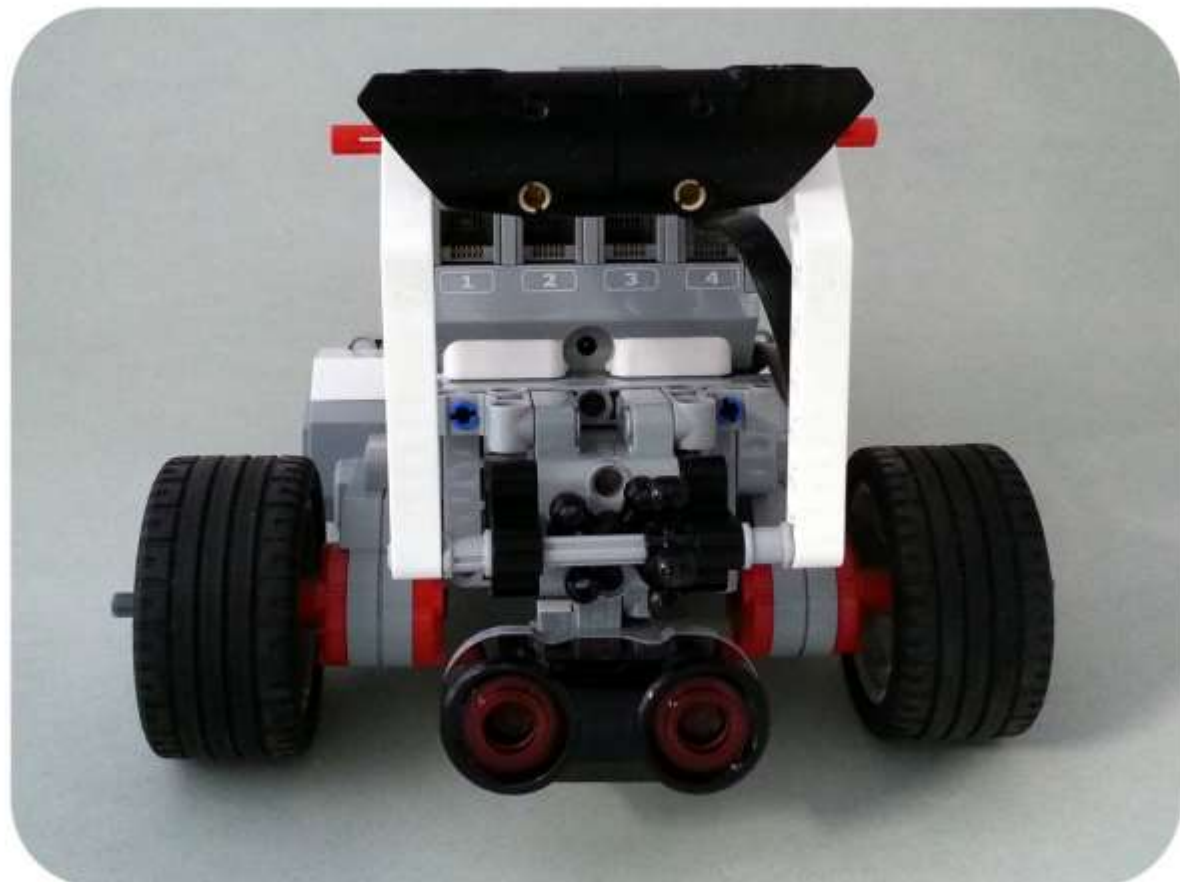
Attach the Cargo Delivery Attachment to the front of the Robot



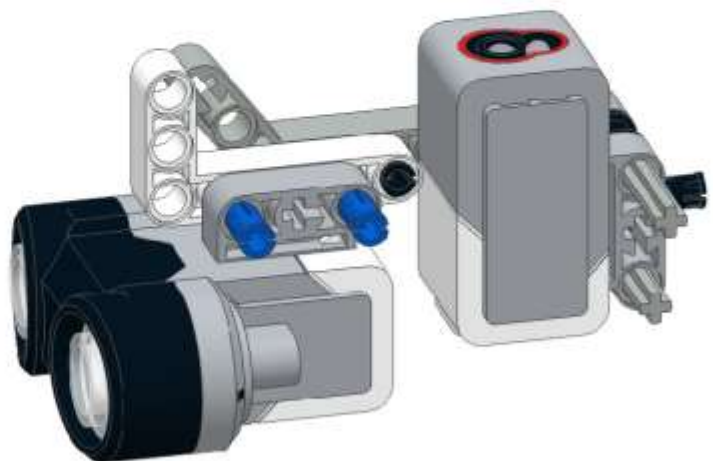
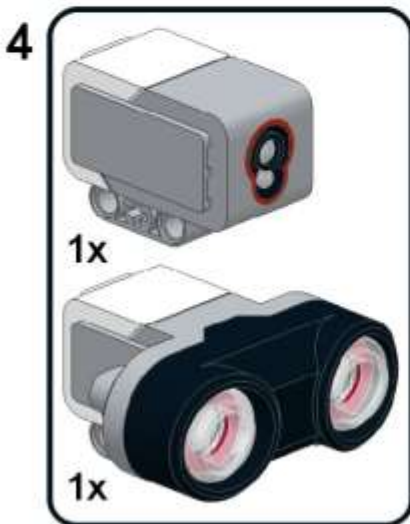
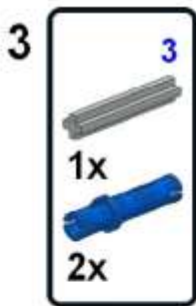
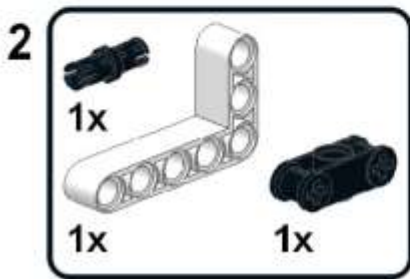
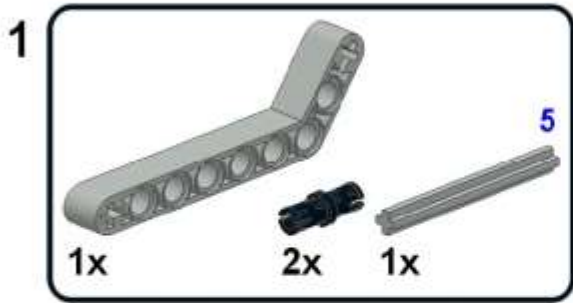
The 'Signal Repeater' will sit loosely in the Cargo Delivery arm when in a raised position. Lower the Cargo Delivery arm to drop the Signal Repeater

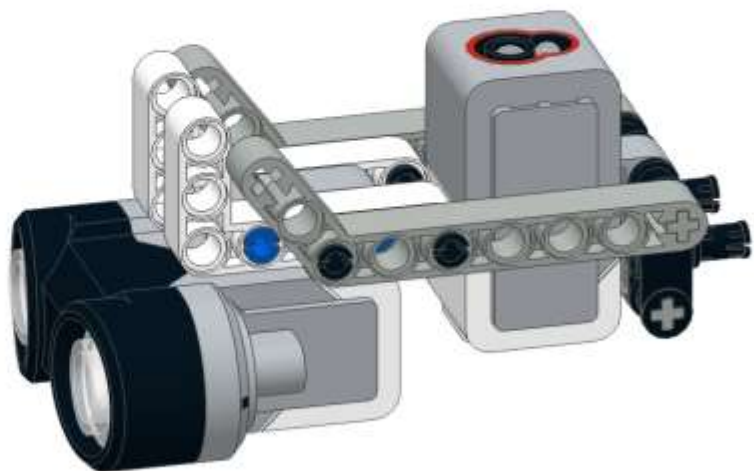
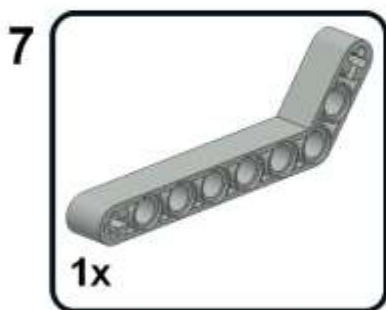
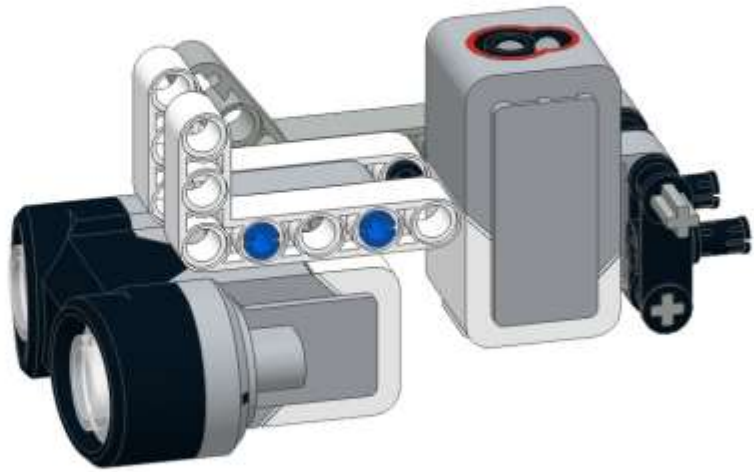
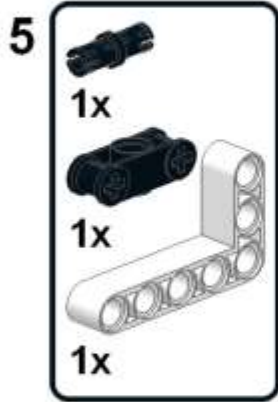


The Ultrasonic Sensor Attachment can be used with both the Cargo Delivery Attachment and Gripper Attachment



Combined Colour - Ultrasonic Sensor Attachment





Snap the combined Colour-Ultrasonic Sensor Attachment to the front of the robot

