

Table 2.9.5.-1

Pharmaceutical Form	Average Mass	Percentage deviation
Tablets (uncoated and film-coated)	80 mg or less	10
	More than 80 mg and less than 250 mg	7.5
	250 mg or more	5
Capsules, granules (uncoated, single-dose) and powders (single-dose)	Less than 300 mg	10
	300 mg or more	7.5
Powders for parenteral administration* (single-dose)	More than 40 mg	10
Suppositories and pessaries	All masses	5
Powders for eye-drops and powders for eye lotions (single-dose)	Less than 300 mg	10
	300 mg or more	7.5

* When the average mass is equal to or below 40 mg, the preparation is not submitted to the test for uniformity of mass but to the test for uniformity of content of single-dose preparations (2.9.6).

POWDERS FOR PARENTERAL ADMINISTRATION

Remove any paper labels from a container and wash and dry the outside. Open the container and without delay weigh the container and its contents. Empty the container as completely as possible by gentle tapping, rinse it if necessary with *water R* and then with *alcohol R* and dry at 100-105 °C for 1 h, or, if the nature of the container precludes heating at this temperature, dry at a lower temperature to constant mass. Allow to cool in a desiccator and weigh. The mass of the contents is the difference between the weighings. Repeat the procedure with another 19 containers.



01/2017:20906

2.9.6. UNIFORMITY OF CONTENT OF SINGLE-DOSE PREPARATIONS

The test for uniformity of content of single-dose preparations is based on the assay of the individual contents of active substance(s) of a number of single-dose units to determine whether the individual contents are within limits set with reference to the average content of the sample.

The test is not required for multivitamin and trace-element preparations and in other justified and authorised circumstances.

Method. Using a suitable analytical method, determine the individual contents of active substance(s) of 10 dosage units taken at random.

Apply the criteria of test A, test B or test C as specified in the monograph for the dosage form in question.

TEST A

The preparation complies with the test if each individual content is between 85 per cent and 115 per cent of the average content. The preparation fails to comply with the test if more than one individual content is outside these limits or if one individual content is outside the limits of 75 per cent to 125 per cent of the average content.

If one individual content is outside the limits of 85 per cent to 115 per cent but within the limits of 75 per cent to 125 per cent, determine the individual contents of another 20 dosage units taken at random. The preparation complies with the test if not more than one of the individual contents of the

30 units is outside 85 per cent to 115 per cent of the average content and none is outside the limits of 75 per cent to 125 per cent of the average content.

TEST B

The preparation complies with the test if not more than one individual content is outside the limits of 85 per cent to 115 per cent of the average content and none is outside the limits of 75 per cent to 125 per cent of the average content. The preparation fails to comply with the test if more than 3 individual contents are outside the limits of 85 per cent to 115 per cent of the average content or if one or more individual contents are outside the limits of 75 per cent to 125 per cent of the average content.

If 2 or 3 individual contents are outside the limits of 85 per cent to 115 per cent but within the limits of 75 per cent to 125 per cent, determine the individual contents of another 20 dosage units taken at random. The preparation complies with the test if not more than 3 individual contents of the 30 units are outside the limits of 85 per cent to 115 per cent of the average content and none is outside the limits of 75 per cent to 125 per cent of the average content.

TEST C

The preparation complies with the test if the average content of the 10 dosage units is between 90 per cent and 110 per cent of the content stated on the label and if the individual content of each dosage unit is between 75 per cent and 125 per cent of the average content.



01/2010:20907

2.9.7. FRIABILITY OF UNCOATED TABLETS⁽⁷⁾

This chapter provides guidelines for the friability determination of compressed, uncoated tablets. The test procedure presented in this chapter is generally applicable to most compressed tablets. Measurement of tablet friability supplements other physical strength measurements, such as tablet breaking force.

Use a drum, with an internal diameter between 283-291 mm and a depth between 36-40 mm, of transparent synthetic polymer with polished internal surfaces, and subject to minimum static build-up (see Figure 2.9.7.-1.). One side of the drum is removable. The tablets are tumbled at each turn of the drum by a curved projection with an inside radius between 75.5-85.5 mm that extends from the middle of the drum to the outer wall. The outer diameter of the central ring is between 24.5-25.5 mm. The drum is attached to the horizontal axis of a device that rotates at 25 ± 1 r/min. Thus, at each turn the tablets roll or slide and fall onto the drum wall or onto each other.

For tablets with a unit mass equal to or less than 650 mg, take a sample of whole tablets corresponding as near as possible to 6.5 g. For tablets with a unit mass of more than 650 mg, take a sample of 10 whole tablets. The tablets are carefully dedusted prior to testing. Accurately weigh the tablet sample, and place the tablets in the drum. Rotate the drum 100 times, and remove the tablets. Remove any loose dust from the tablets as before, and accurately weigh.

Generally, the test is run once. If obviously cracked, cleaved, or broken tablets are present in the tablet sample after tumbling, the sample fails the test. If the results are difficult to interpret or if the weight loss is greater than the targeted value, the test is repeated twice and the mean of the 3 tests determined. A

(7) This chapter has undergone pharmacopoeial harmonisation. See chapter 5.8. *Pharmacopoeial harmonisation*.

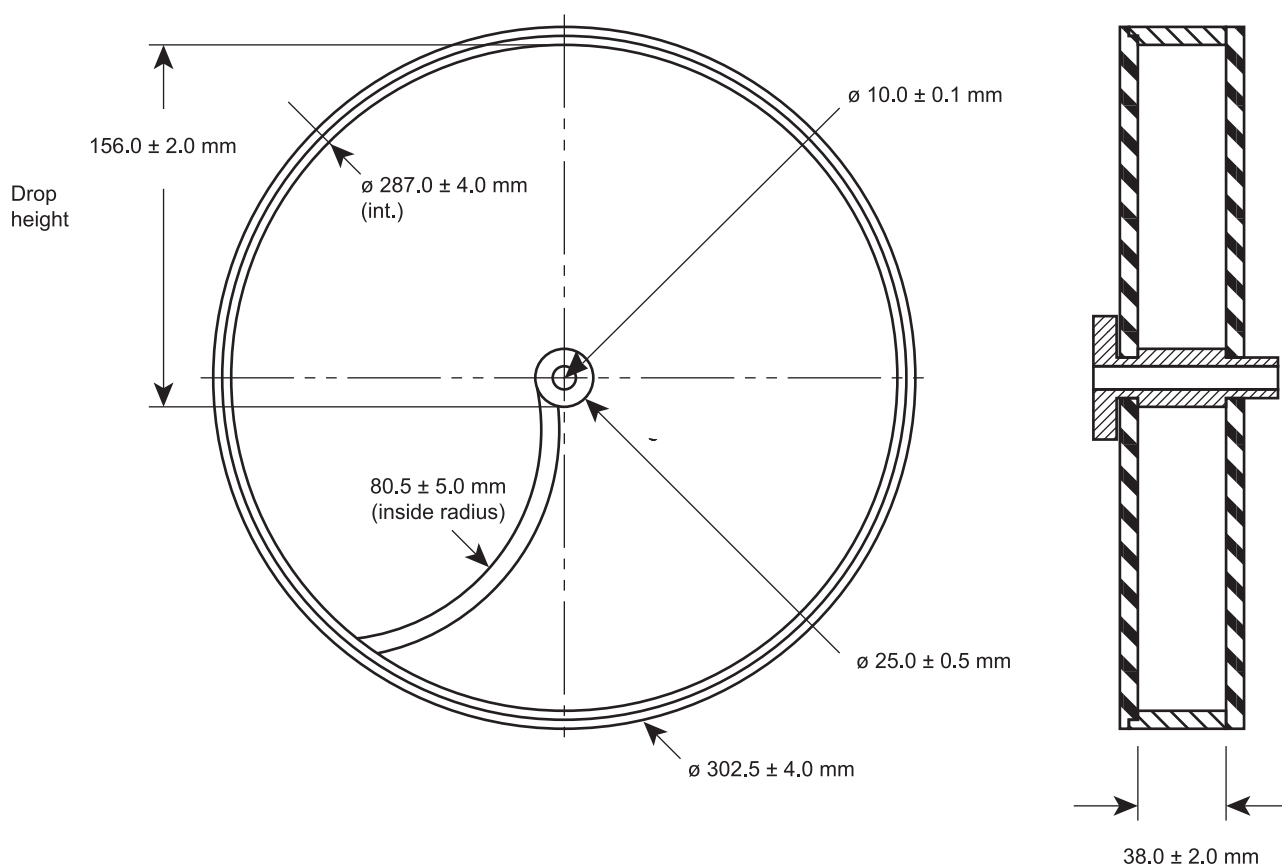


Figure 2.9.7.-1. – Tablet friability apparatus

maximum loss of mass (obtained from a single test or from the mean of 3 tests) not greater than 1.0 per cent is considered acceptable for most products.

If tablet size or shape causes irregular tumbling, adjust the drum base so that the base forms an angle of about 10° with the horizontal and the tablets no longer bind together when lying next to each other, which prevents them from falling freely.

Effervescent tablets and chewable tablets may have different specifications as far as friability is concerned. In the case of hygroscopic tablets, a humidity-controlled environment is required for testing.

A drum with dual scooping projections, or apparatus with more than one drum, for the running of multiple samples at one time, are also permitted.

OPERATING PROCEDURE

Place the tablet between the jaws, taking into account, where applicable, the shape, the break-mark and the inscription; for each measurement orient the tablet in the same way with respect to the direction of application of the force. Carry out the measurement on 10 tablets, taking care that all fragments of tablets have been removed before each determination.

This procedure does not apply when fully automated equipment is used.

EXPRESSION OF RESULTS

Express the results as the mean, minimum and maximum values of the forces measured, all expressed in newtons.

Indicate the type of apparatus and, where applicable, the orientation of the tablets.

01/2008:20908



2.9.8. RESISTANCE TO CRUSHING OF TABLETS

This test is intended to determine, under defined conditions, the resistance to crushing of tablets, measured by the force needed to disrupt them by crushing.

APPARATUS

The apparatus consists of 2 jaws facing each other, one of which moves towards the other. The flat surfaces of the jaws are perpendicular to the direction of movement. The crushing surfaces of the jaws are flat and larger than the zone of contact with the tablet. The apparatus is calibrated using a system with a precision of 1 newton.

07/2008:20909



2.9.9. MEASUREMENT OF CONSISTENCY BY PENETROMETRY

This test is intended to measure, under determined and validated conditions, the penetration of an object into the product to be examined in a container with a specified shape and size.

APPARATUS

The apparatus consists of a penetrometer made up of a stand and a penetrating object. A suitable apparatus is shown in Figure 2.9.9.-1.